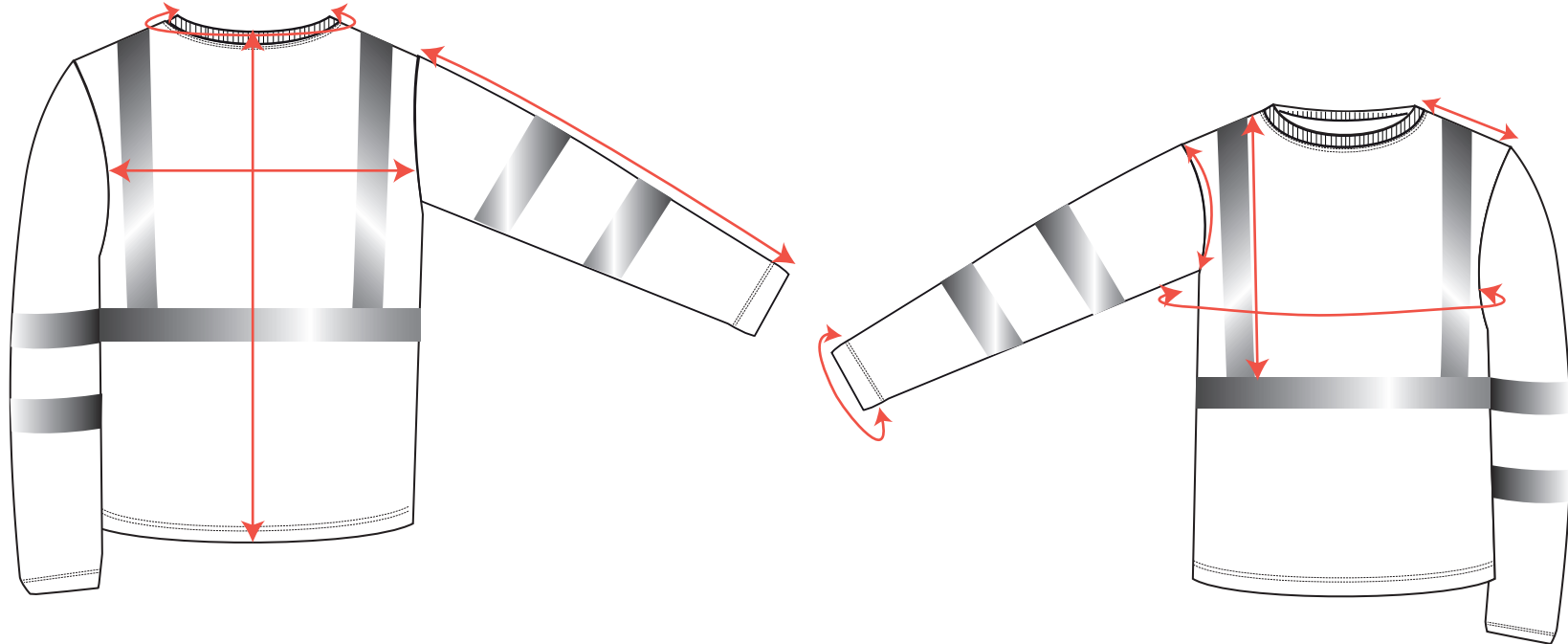


STYLE NO: FR96

DESCRIPTION: Modafume Hi-Vis Arc 2 T Shirt

FABRIC: 60% Modacrylic, 40% Cotton

COLOUR: Hi Visibility  
Flouresent Yellow



Measurements Are For A Fully Relaxed Fabric, In Cm's		XS	S	M	L	XL	2XL	3XL	4XL	5XL	6XL	Tolerance (+)
<b>A</b>	Chest	92	100	108	116	128	136	144	152	164	176	1
<b>B</b>	Back Length <i>(including collar)</i>	73	74	76	76	77	78	78	78	80	81	1
<b>C</b>	Shoulder	16	17	18	19	20	21	22	23	24	25	0.5